



## Mariusz Lech Sosnowski

Company owner Pro-Home 4You

I help investors and designers see new trends and solutions in construction. Open to interesting people who follow their visions of technological development in the country and abroad. I like reading scientific items related to new technologies, solutions and articles, a blog as well as watching people running their YouTube channels who look innovatively at technological development not only in construction.

Currently, I work with companies that have innovative products in their assortment, ecological and innovative solutions. My professional experience is the years spent in the department quality as a manager in production companies in various industries. In my actions related to quality, man always plays an important role as the basis for determining what direction we want to shape our quality.

**As a Substitute Investor, I act in the implementation of a construction investment on behalf of the investor.**

Human as the foundation, without which it is impossible to build quality, whether when operating machines or in relationships between people, which also shape our approach to everyday activities. Thanks to this, we can learn ourselves, from others and teach others every day. I also believe that by performing any activity, which of course we do with the greatest care, we help others understand how important quality is in everyday life, which we pay special attention to. Quality also teaches us to be flexible and resistant to changes, we can find ourselves in any everyday situation.







# CERTIFICATE- PASSIVE HOUSE TRADESPERSON

## Certificate Passive House Tradesperson



Dr. Wolfgang Feist  
64283 Darmstadt  
Germany  
www.passivehouse.com

Valid until 12th September 2027

**Mariusz Sosnowski**

Date of birth: 12th August 1973

is entitled to use the seal below during the five year validity of the certificate and is listed during this period in the list of Certified Passive House Tradespersons at [www.passivehouse-tradesperson.org](http://www.passivehouse-tradesperson.org)

The qualification was obtained according to the valid examination regulations

at: **GreenCherry Architecture Kamil Wiśniewski / Akademia Zdrowego Budownictwa**

in: **Online exam**

The qualification has the following specialisation(s):

**Building Envelope**     **Building Services**



Darmstadt, 12th September 2022

Prof. Dr. Wolfgang Feist

This certificate does not replace any required professional qualification.

A Passive House is a building, in which thermal comfort [ISO 7730] can be provided solely by post-heating or post-cooling of the fresh airflow which is required for good indoor air quality [DIN 1946] - without using additional recirculated air.

{Definition}

### Certified Passive House Tradesperson - Specialisation Building Envelope and Building Services

#### General principles / Passive House Basics

- Passive House criteria
- The 5 basic Passive Houses principles
- Building physics and ecology
- Airtightness
- Construction process and quality assurance
- Economic aspects

#### Specialisation - Building Envelope

- Insulated constructions
- Thermal bridge free construction
- Windows and other transparent building components
- Summer comfort
- Retrofits with Passive House components
- Implementation details

#### Specialisation - Building Services

##### Ventilation

- Basic principles
- Controlled ventilation with heat recovery
- Supply air heating in Passive House buildings
- Commissioning

##### Heat Supply

- Heat generation and distribution in Passive House buildings
- Implementation details
- Special aspects of refurbishments

The full version of the catalogue of learning objectives and further information can be found at [www.passivehouse-trades.org](http://www.passivehouse-trades.org).





## WHAT I DO?

I'm involved in innovations and new technologies for solutions in construction. Observing new directions in the development of construction, I look more closely at passive and energy-saving houses.

---

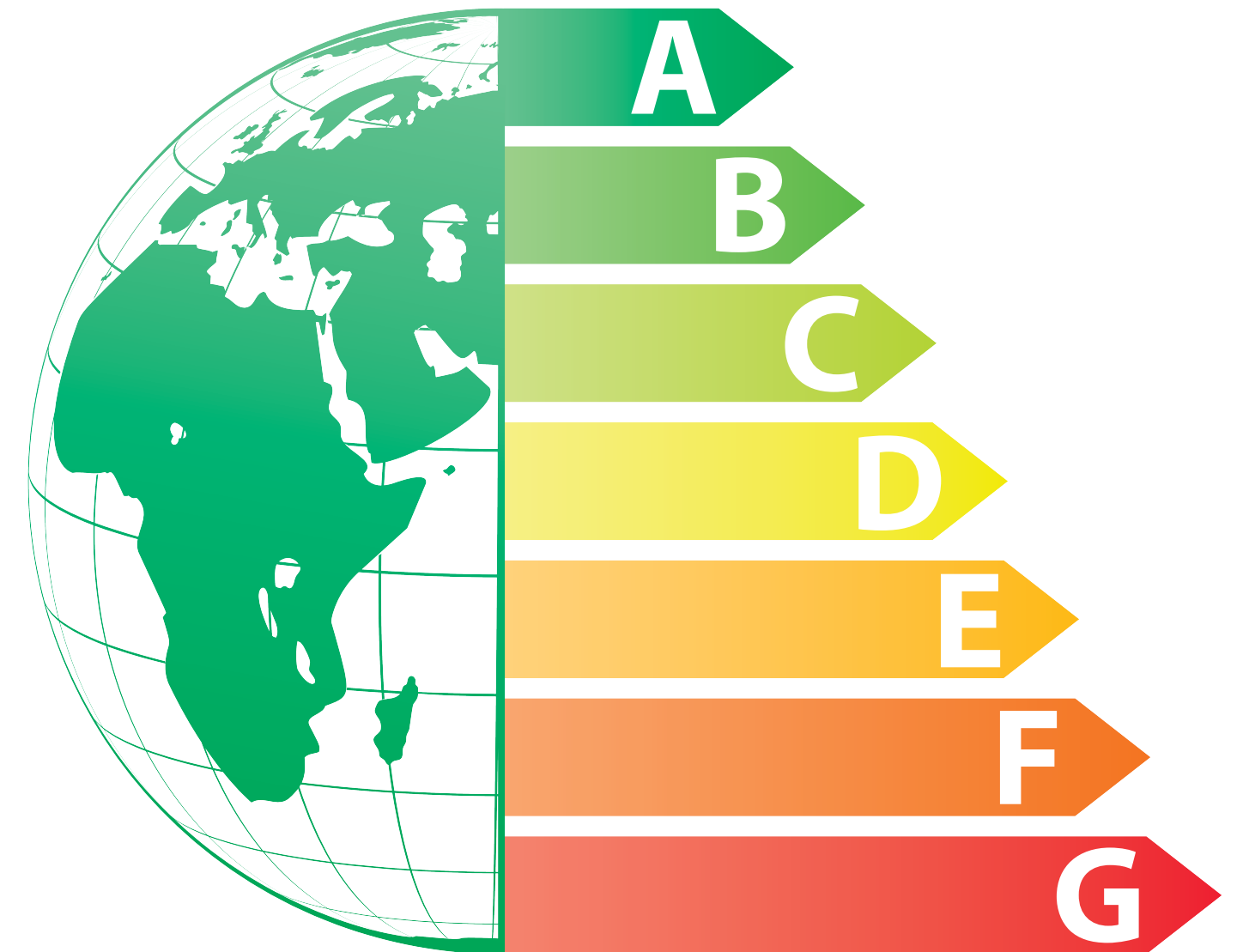




# WHAT IS PASSIVE CONSTRUCTION CHARACTERIZED BY?

A properly erected passive house should be characterized by excellent thermal insulation, which will significantly reduce the risk of heat loss from the inside of the rooms. The construction of such a building, as well as the adopted architectural and material solutions, should exclude as much as possible the formation of thermal bridges, i.e. places through which the most heat escapes from the house.

---





# PASSIVE CONSTRUCTION IS DISTINGUISHED BY ITS CHARACTERISTIC PROPERTIES

- simple blocks of buildings, designed on a rectangular or square plan,
- avoidance of difficult to insulate elements,
- the use of a large glazing area in order to maximize the use of solar energy,
- avoiding the design of window openings to prevent heat energy loss,
- proper arrangement of rooms, minimizing the need for lighting and heating,
- the use of modern technologies, e.g. mechanical ventilation with heat recovery (recuperation),
- the use of renewable, ecological energy sources such as photovoltaic installations or heat pumps.





# COOPERATION

I am looking for private individuals as well as business people to cooperate with who look innovatively at the construction industry. Looking for developers, construction companies focused on building with innovative materials with new technologies, solutions interested in establishing cooperation in order to build passive, energy-saving houses. Roofing and installation companies interested in new solutions.

---







# OUR PARTNERS AND PLANS FOR THE FUTURE

For 10 years we have been cooperating with a Polish construction company in Sweden. We also build houses in which we use the concepts of building passive houses connected to the ground, but our offer also includes the possibility of building houses that are not connected to the ground.

We are planning to build a factory in Poland, where we will deliver such solutions throughout Europe.

---





# PRODUCTS

## Cement

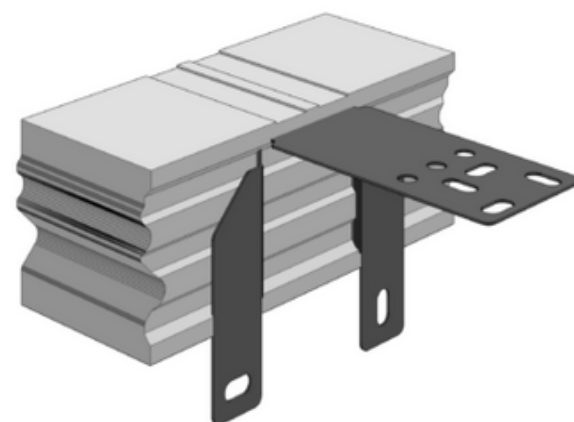


**From just 3.5€\* per 25 kg bag.**

*Minimum purchase 1 pallet = 56 bags = 1400 kg*

*CEMENT MAX 32.5 R is manufactured in accordance with the European standard EN: 197-1 and is used to obtain concrete with higher strength.*

## Warm mounting beam



**From just 3.5€\* per item**

*An element of the CBM system for the installation of window constructions in the insulation layer. A modern solution for energy-saving construction, where it is possible to minimize heat loss by eliminating thermal bridges.*



Check out all our products from the store.



\* The price is set individually depending on the project and the logistic minimum.





# PRODUCTS

## Covering materials roofing



We have a wide range of roofing materials with prices starting at **6.5€\***. Our product range includes: tapes, foils, membranes, adhesives, bindings, decks and others.

## Windows



**From just 565€\* per item.**

*Characteristics: rotating structure, widened profiles and a specially designed sash frame, intended for energy-saving and passive construction, windows made of vacuum-impregnated pine wood.*



Check out all our  
products from the store.



\* The price is set individually depending on the project and the logistic minimum.



DO YOU HAVE QUESTIONS? CONTACT US



**+48 519 699 577**



**info@pro-home4you.eu**



**ul. S. Wojciechowskiego 6/38  
62-800 Kalisz**

